

# ANTI-TIP STRAP SIDE ASSEMBLY INSTRUCTIONS

## ANTI-TIP STRAP INSTRUCTIONS FOR ASSEMBLED UNITS WITH NEW HARDWARE PACKS

### Hardware List



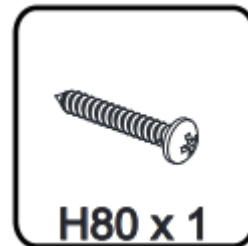
Wood Screw  
(attaches to chest)



Washer  
(for use with part H77 and H80)



Strap  
(attaches to wall and chest)

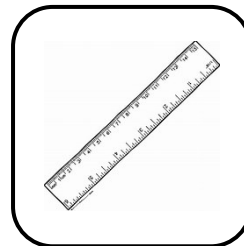
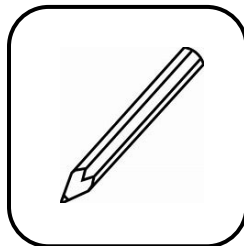


Wall Anchor Screw  
(attaches to wall)



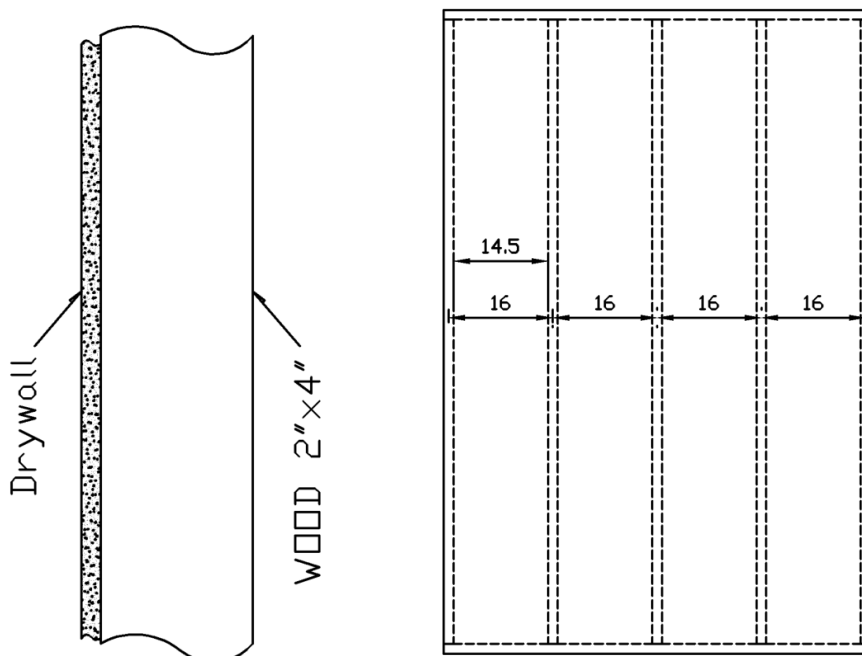
Wall Anchor  
(attaches to wall - not needed if screwing part H80 into a stud)

### Tool List



### Typical Wall Construction

(Use H81 if you are only screwing into drywall)

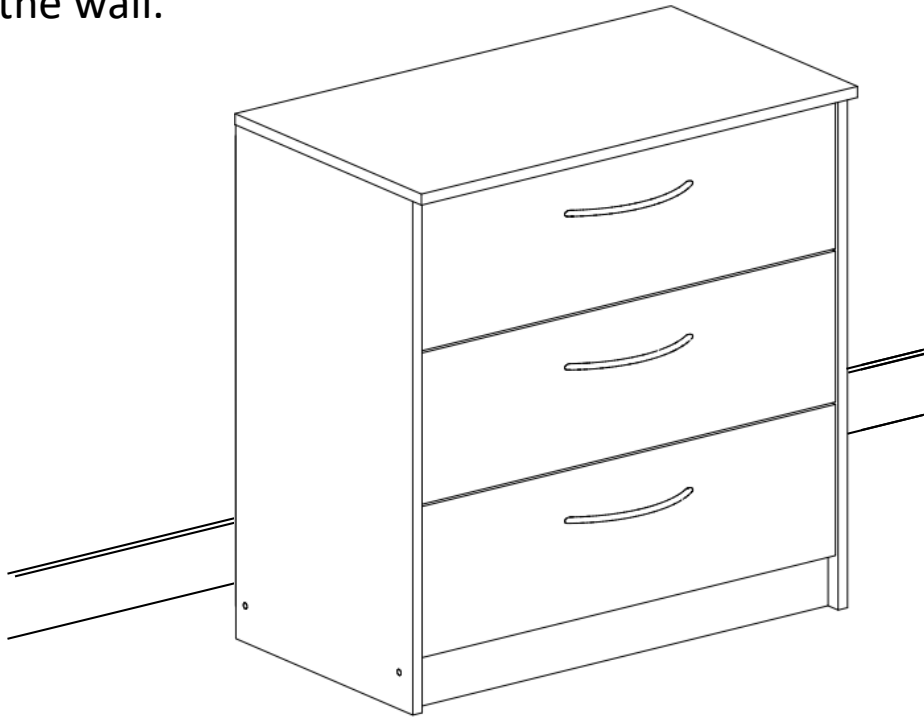


Note: Standard 2x4 and drywall construction:

- 1) The 2x4's are actually 1.5" thick.
- 2) Each 2x4 is 14.5" apart edge to edge
- 3) Center to center of each 2x4 is 16".

## STEP 1

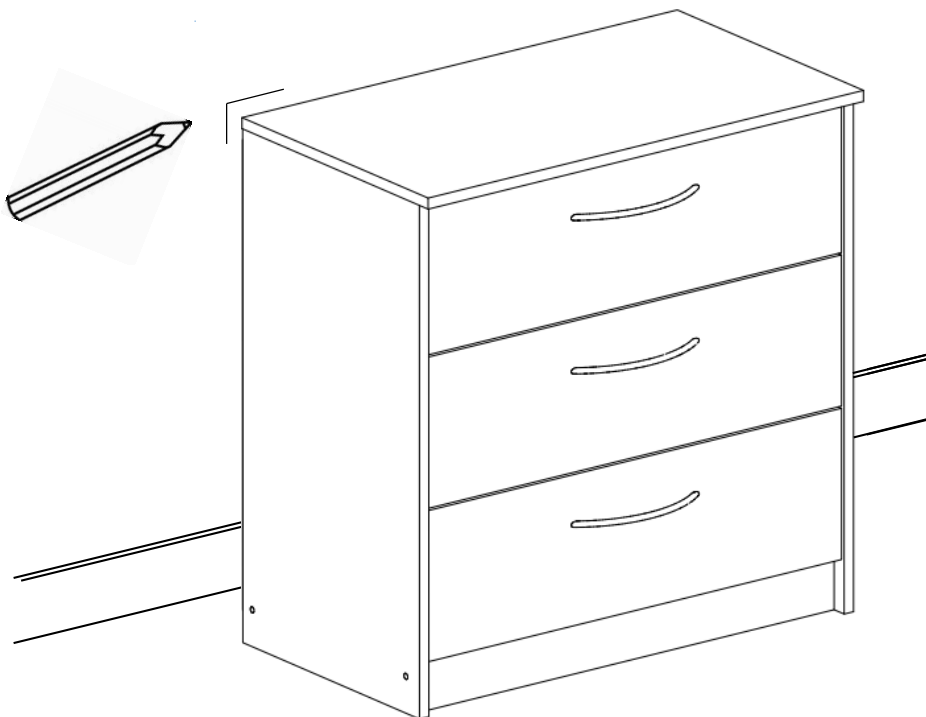
Place your 3 drawer chest in the location you desire to have it against the wall.



## STEP 2

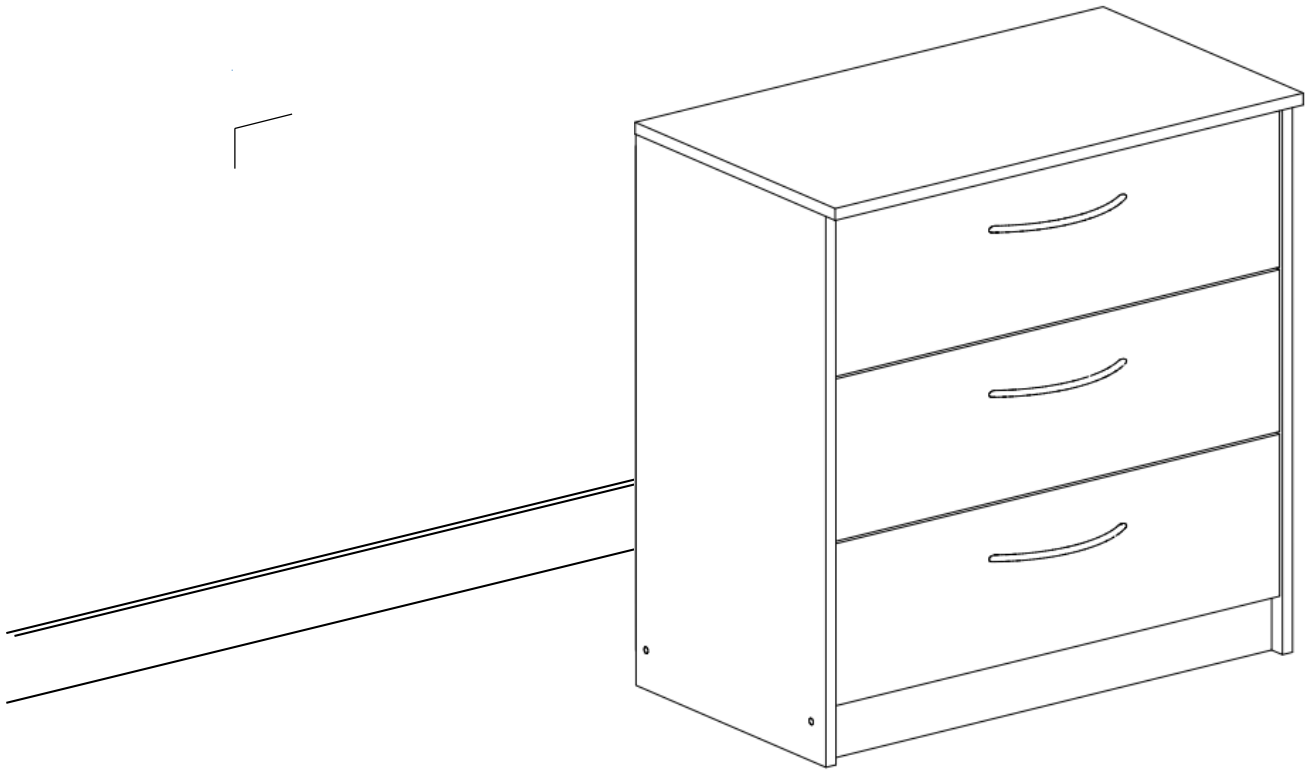
Mark on the wall lightly with a pencil, the corner of the chest where the anti-tip strap is partially or fully hidden.

- 1) Mark the top height
- 2) Mark where the side touches the top



### STEP 3

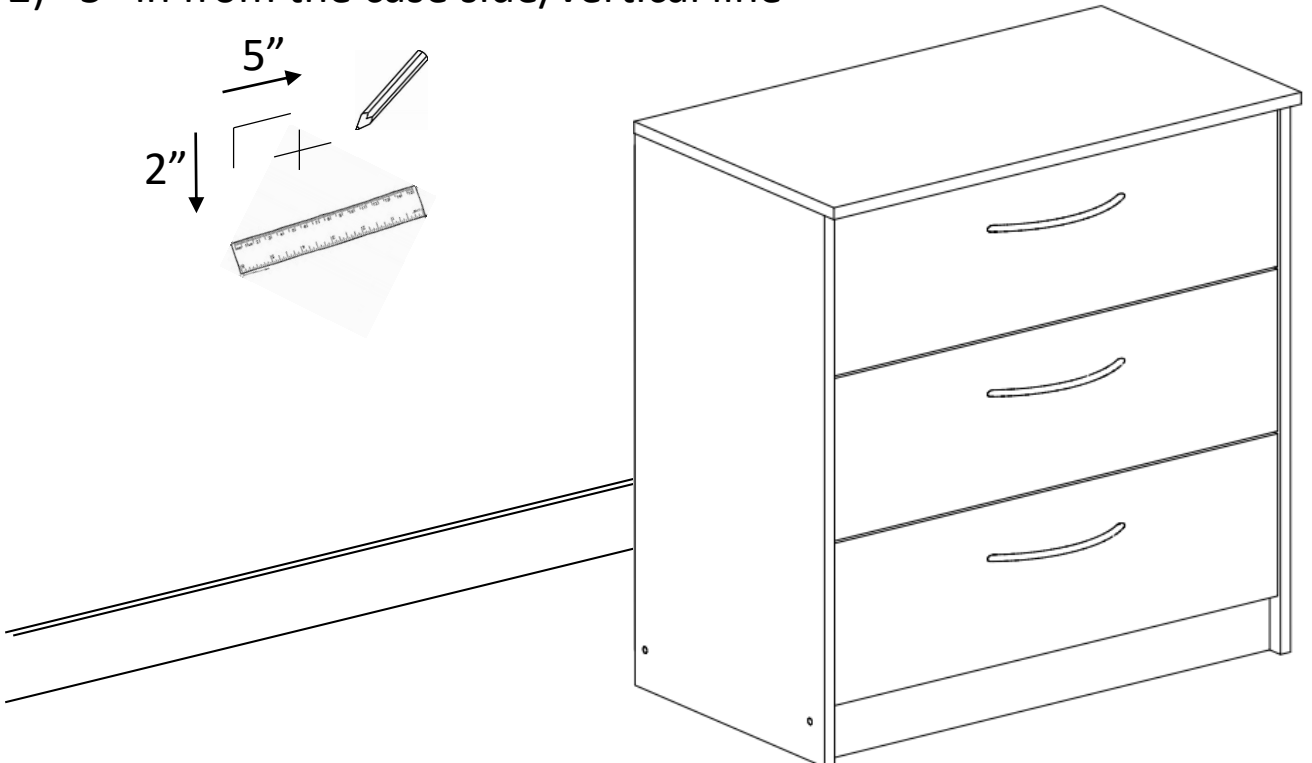
Pull the chest away from the wall so you can work, measure and make more marks on the wall.



### STEP 4

Make 2 new marks on the wall and have them cross/intersect.

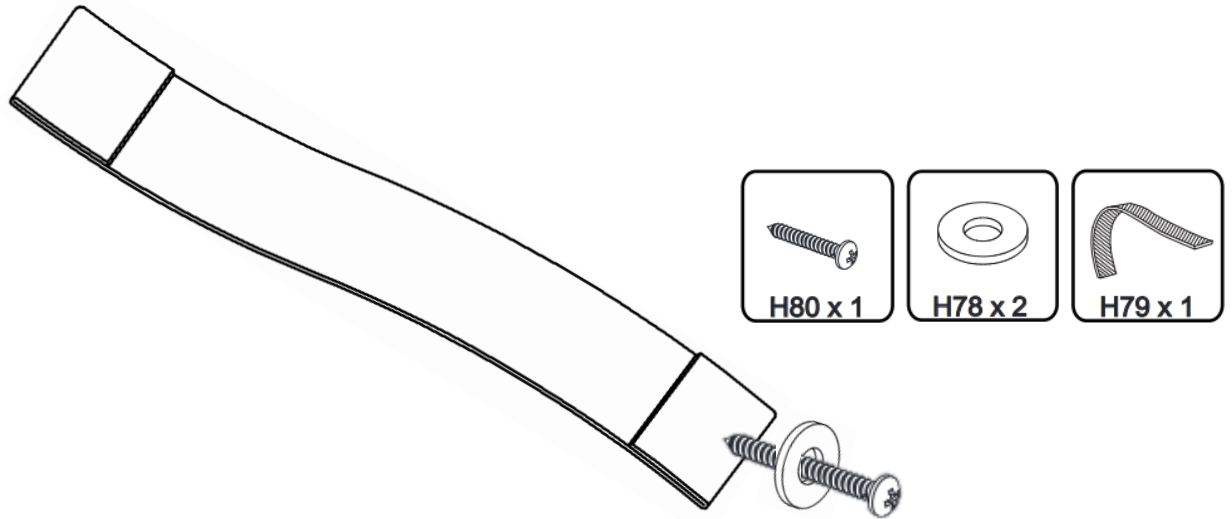
- 1) 2" down from the top/horizontal line
- 2) 5" in from the case side/vertical line





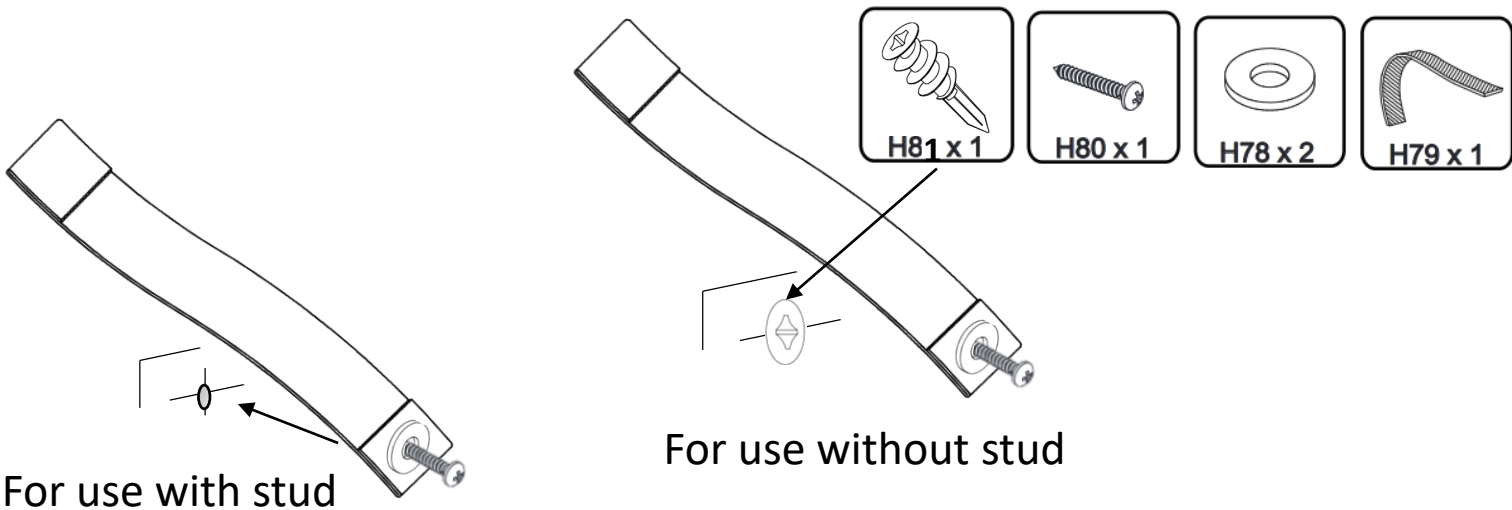
## STEP 7

Clean off any drywall debris from screw H80. Then insert the wall anchor screw, part H80, into the washer, part H78. Then, by hand, screw part H80 through the weaved strap, H79, in the center of one of the folded over sewn ends.



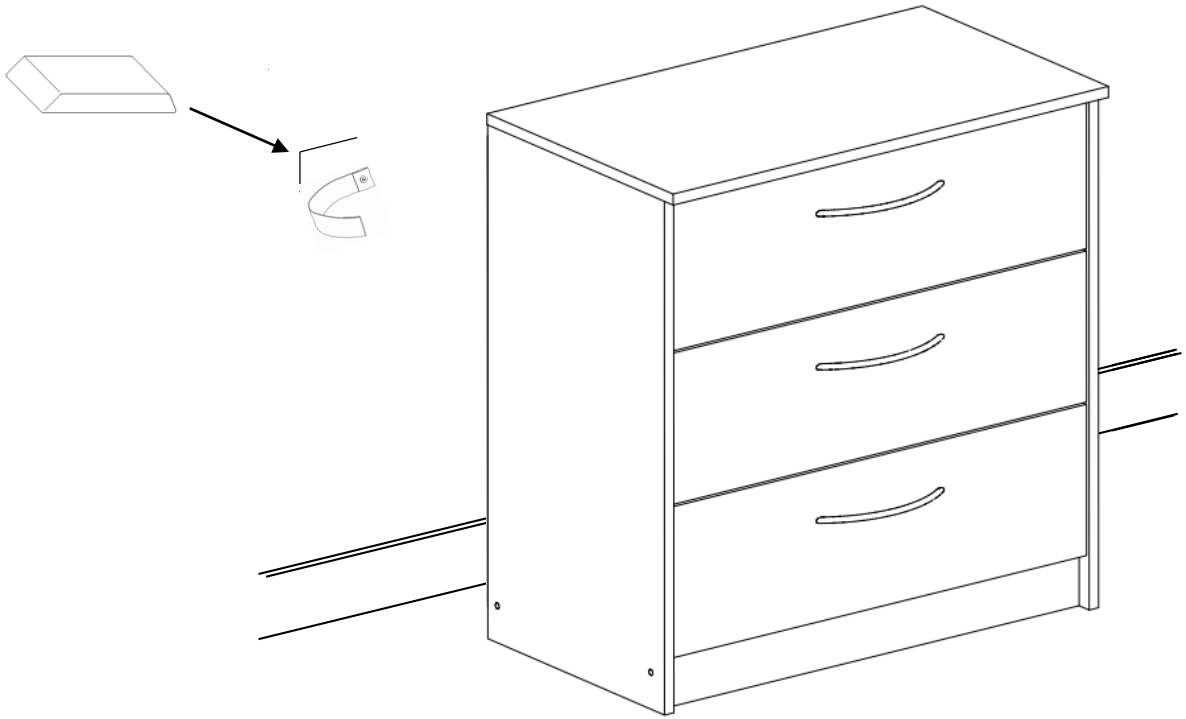
## STEP 8

To attach the strap to the wall, take the assembled strap (part H79, part H80 and part H78) and screw part H80 into either the hole in the wall from the screw (part H80) if you hit a stud, or into the wall anchor (part H81).



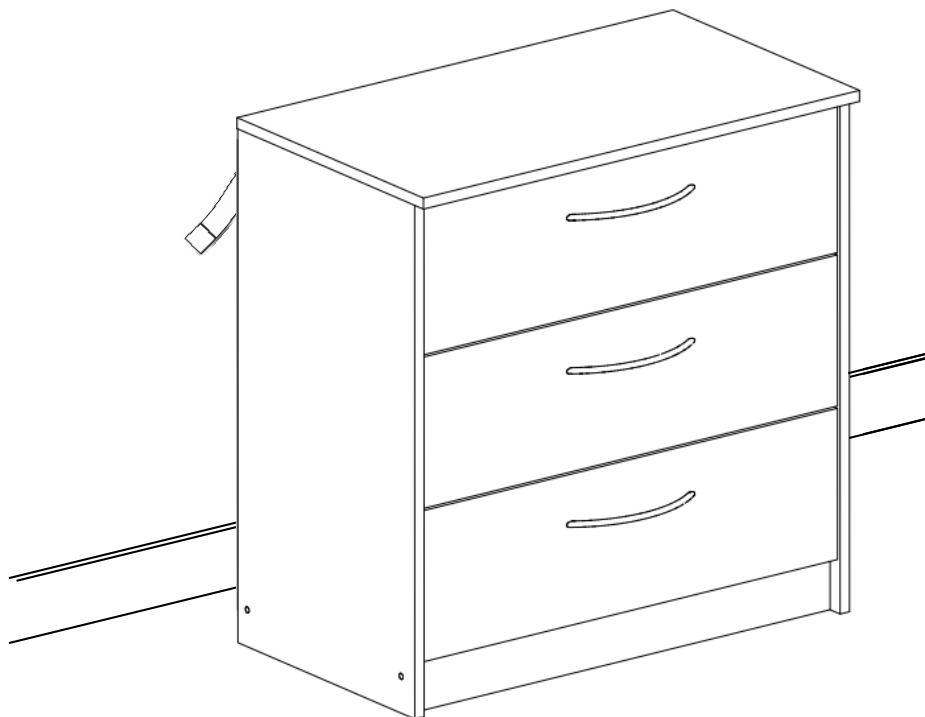
## STEP 9

Erase the pencil marks that are exposed.



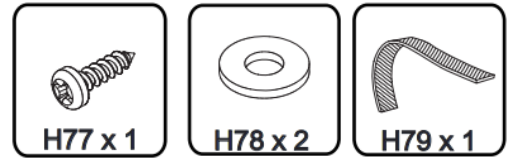
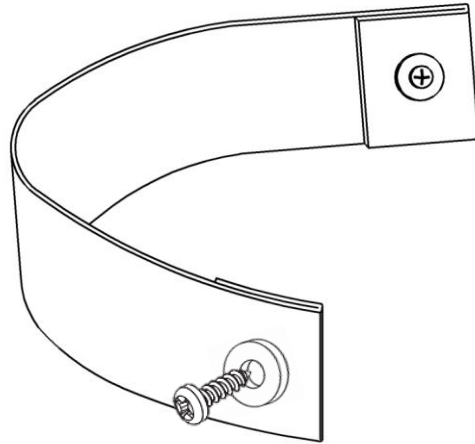
## STEP 10

Place your 3 drawer chest again where you want it located.



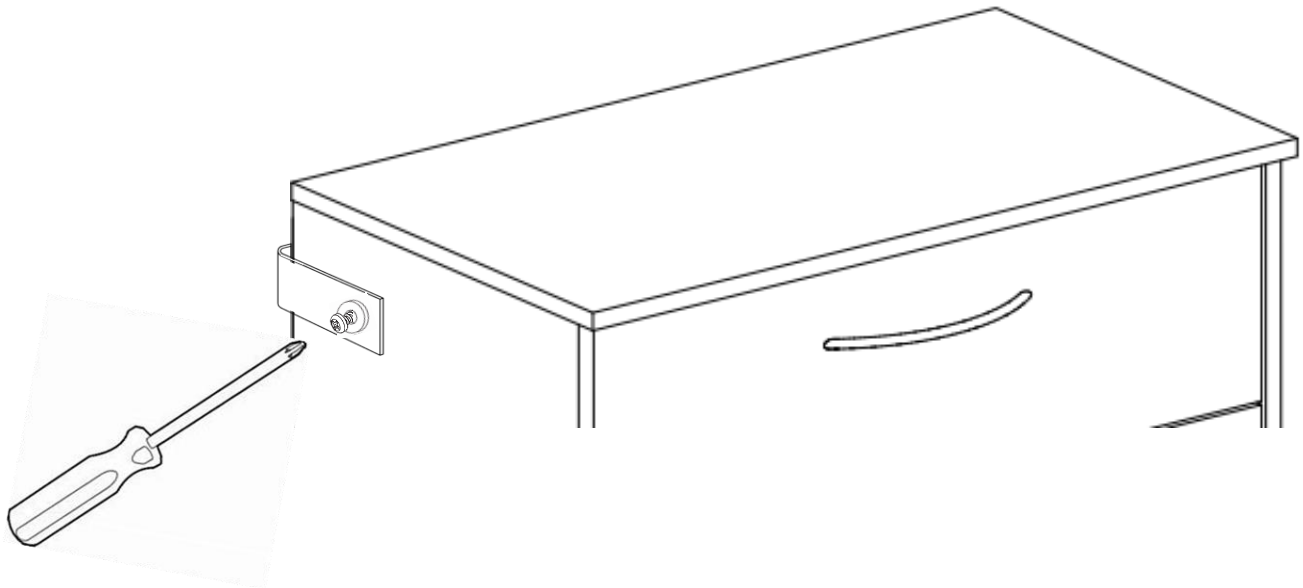
## STEP 11

Insert the wood screw (part H77) into the washer (part H78). Then by hand, screw (part H77) through the weaved strap (part H79) in the center of the second folded over and sewn end.



## STEP 12 (Final Step)

To attach the strap to the dresser, tightly wrap the assembled anti-tip strap (part H77, part H78 and part H79) around the side of the 3 drawer chest parallel to the top. Then completely screw (part H77) the screw into the side of the 3 drawer chest.



Job completed. Thank you! Homestar LTD. If you have further questions please email

[CPSCanti-tip@homestarltd.com](mailto:CPSCanti-tip@homestarltd.com) or call 1-833-907-1099.